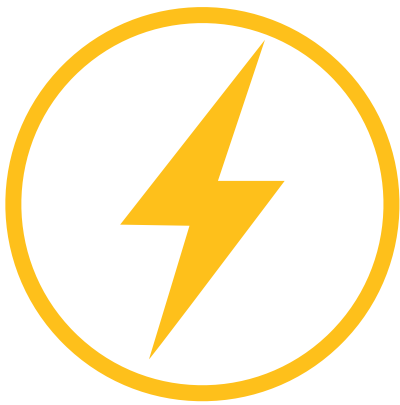


e-idös®  
products 

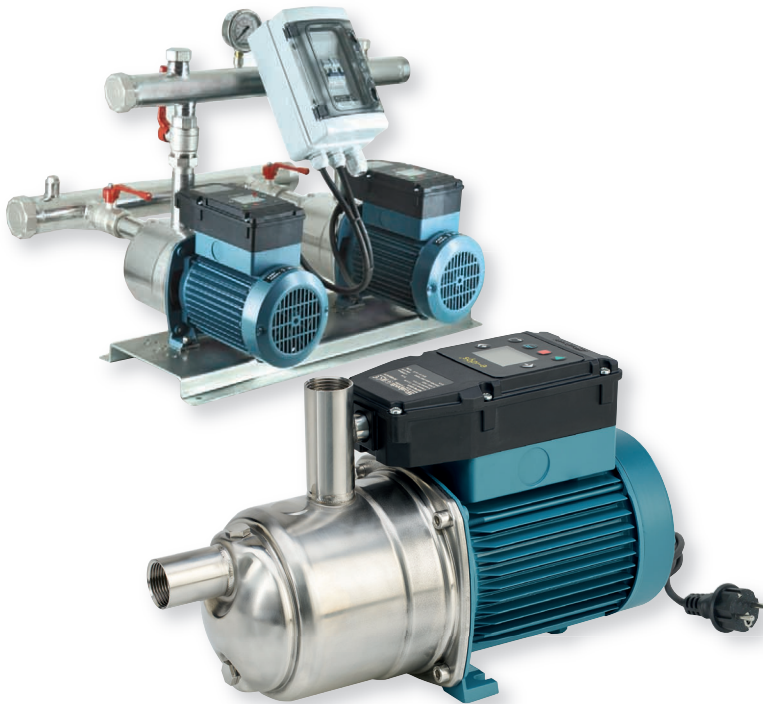
**PLUG AND PLAY  
SOLUTION**



**ENERGY  
EFFICIENCY**

**COMPACT  
DESIGN**





## Construction

Easy to install, compact and plug and play pressurized system with integrated pressure transducer for automatic control of starting/stopping of the pump when utilization points are opened/closed with a integrated non-return valve into the pump suction.

Pumps:

**E-MXP:** version with multistage pumps

**E-NGX:** version with self-priming pumps

**E-MXA:** version with self-priming multistage pumps

## Applications

For water supply.

For domestic use, for garden use and irrigation.

## Features

- high efficiency asynchronous single-phase motor
- capacitor less stressed in voltage
- uniform and lower motor temperature
- motor power control
- programmable re-start pressure
- no hydraulic losses due to the measuring devices
- voltage and current control
- monitoring of maximum starting current

## Protections

- dry-run protection
- overload control and overheating motor control
- pump blockage
- power supply control
- starts per hour control

## Operating conditions

Liquid temperature: 0 °C to +35 °C (0 °C to +50 °C for E-MXP).

Ambient temperature up to +40 °C.

Maximum permissible pressure in the pump casing: 8 bar.

Continuous duty.



### EASY TO INSTALL

Plug And Play solution



### ECONOMIC SAVING

High efficiency asynchronous single-phase motor  
24 % less energy consumption compared to a standard pump



### EASY TO USE

Equipped with a programmable software and, thanks to the analogic pressure sensor, the product allows to set the restart pressure. An ideal solution which allows to reduce or remove the need of a expansion tank

## Materials

Component	Material
Pump casing	Cr-Ni steel 1.4301 EN 10088 (AISI 304)
Casing cover	Cr-Ni steel 1.4301 EN 10088 (AISI 304)
Pump Shaft	Chrome steel 1.4104 EN 10088 (AISI 430)
Plug	Cr-Ni steel 1.4305 EN 10088 (AISI 303)
Suction casing (E-MXA)	PPO-GF20 (Noryl)
Stage casing (E-MXA,E-MXP)	PPO-GF20 (Noryl)
Impeller	PPO-GF20 (Noryl)
Diffuser (E-NGX)	PPO-GF20 (Noryl)
Ejector (E-NGX)	PPO-GF20 (Noryl)
Mechanical seal	Carbon - Ceramic - NBR

## Motor

2-pole induction motor, 50 Hz (n ≈ 2800 rpm).

Single-phase 230 V ± 10%, with thermal protector.

Capacitor inside the terminal box.

Cable: H07RN8-F, 3G1,5 mm<sup>2</sup>, length 1,5 m, with plug CEI-UNEL 47166.

Insulation class F.

Protection IP X4.

Constructed in accordance with: EN 60034-1;

EN 60335-1, EN 60335-2-41.

Performance  $n \approx 2800$  1/min

TYPE	P <sub>1</sub>		P <sub>2</sub>		Q	H m															
	kW	kW	HP	HP		m <sup>3</sup> /h	0	1	1,5	2	2,25	3	3,5	4	4,5	5	5,4	6	6,5		
E-MXPM 203-PC	0,56	0,45	0,6	0,6	l/min	0	16,6	25	33,3	37,5	50	58,3	66,6	75	83,3	90	100	108,3			
E-MXPM 204-PC	0,70	0,55	0,75	0,75		33,7	30,5	28,6	26,4	25,2	21,1	17,9	14,4	10,8	7,0						
E-MXPM 205-PC	0,89	0,75	1	1		45,1	40,9	38,5	35,8	34,4	29,4	25,6	21,3	16,7	11,9						
E-MXPM 403-PC	0,75	0,55	0,75	0,75		55,6	50,4	47,3	43,9	42,1	36,1	31,4	26,3	20,9	15,3						
E-MXPM 404-PC	1,05	0,75	1	1		34,0				30,1	27,9	26,2	24,2	22,0	19,6	17,5	13,8	10,2			
						44,9				39,5	36,9	34,7	32,2	29,4	26,3	23,5	18,9	14,4			

	P <sub>1</sub>		P <sub>2</sub>		Q	H m												
	kW	kW	HP	HP		m <sup>3</sup> /h	0	0,3	1	2	2,4	3	3,2	3,6	4	4,5	5	6
E-NGXM 2/80-PC	0,8	0,55	0,75	0,75	l/min	0	5	16,6	33,3	40	50	53,3	60	66,6	75	83,3	100	
E-NGXM 3/100-PC	0,95	0,65	0,9	0,9		50,0	45,5	37,2	29,6	26,1	21,1							
E-NGXM 4/110-PC	1	0,75	1	1		50,9	46	38,8	31	27,4	23,2	22,2						
						43,2	40,8	36,4	31,4	29,3	25,9	24,8	23	21,6	19,9			

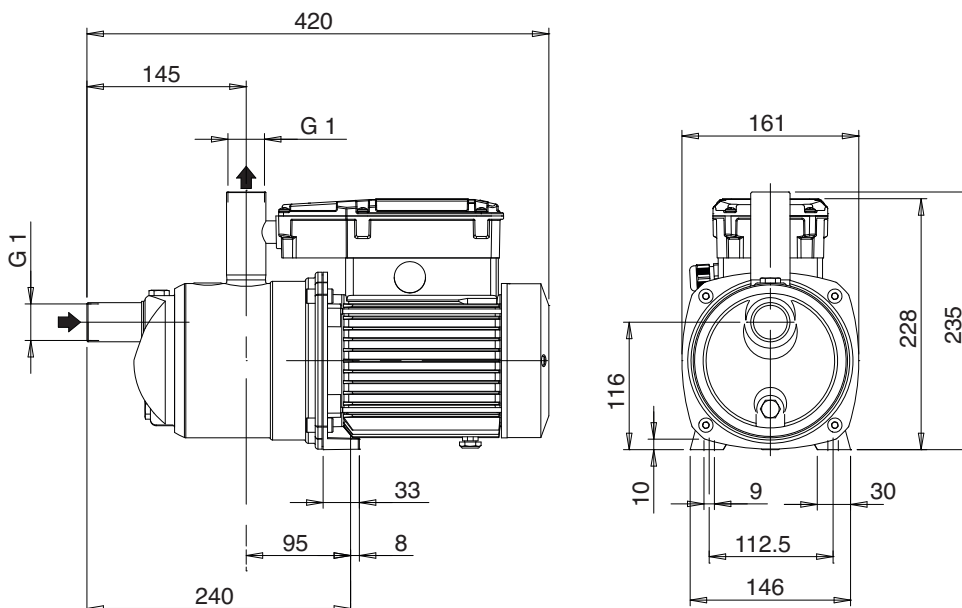
TYPE	P <sub>1</sub>		P <sub>2</sub>		Q	H m															
	kW	kW	HP	HP		m <sup>3</sup> /h	0	1	1,5	2	2,25	3	3,5	4	4,5	5	5,4	6	6,5		
E-MXAM 203-PC	0,56	0,45	0,6	0,6	l/min	0	16,6	25	33,3	37,5	50	58,3	66,6	75	83,3	90	100	108,3			
E-MXAM 204-PC	0,70	0,55	0,75	0,75		33,6	30,1	28,0	25,6	24,3	20,5	17,6	14,2								
E-MXAM 403-PC	0,75	0,55	0,75	0,75		44,7	40,0	37,2	34,2	32,6	27,4	23,6	19,3	14,5							
E-MXAM 404-PC	1,05	0,75	1	1		33,8			30,1	29,4	27,1	25,3	23,4	21,2	18,9	16,8	13,8				
						44,5			39,4	38,6	35,8	33,5	30,9	28,1	25,1	22,5	18,3	14,4			

P<sub>1</sub> Max. power input.  
P<sub>2</sub> Rated motor power output.

Test results with clean cold water, without gas content.  
Tolerances according to UNI EN ISO 9906:2012

+ 0,5 m security margin on NPSH-value is necessary.

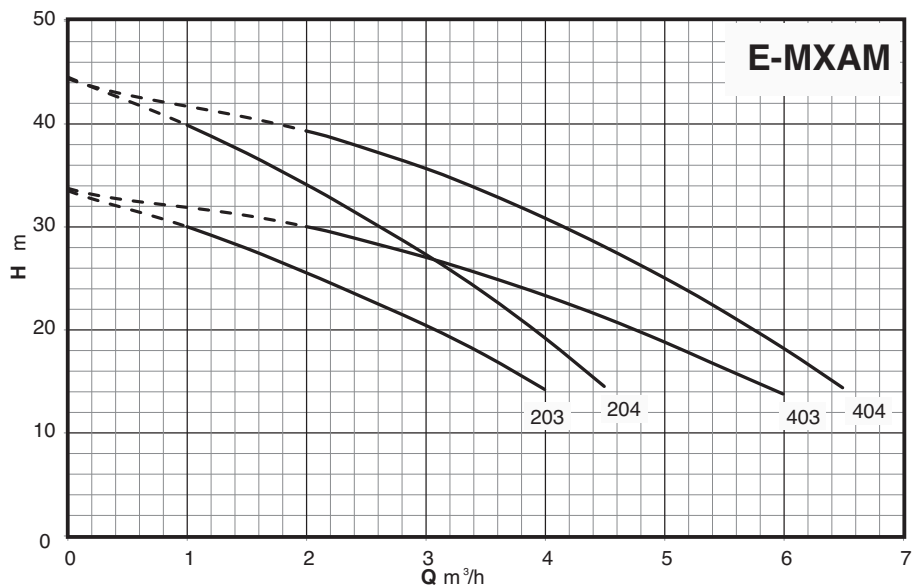
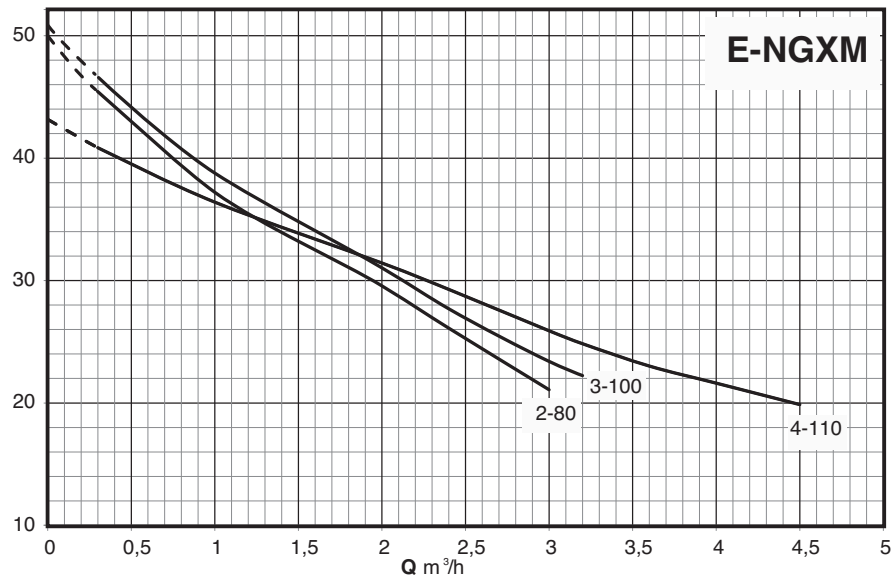
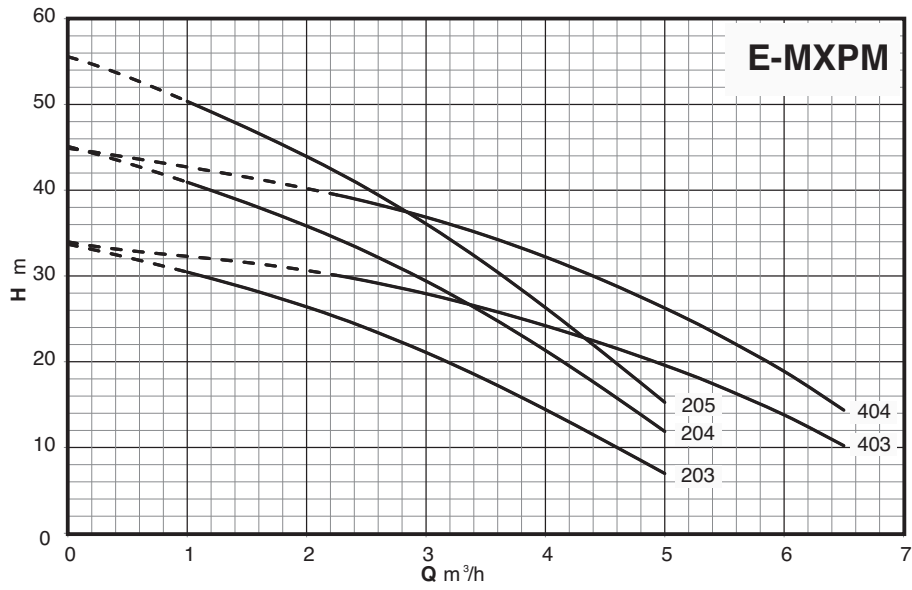
Dimensions and weights



TYPE	Net weight kg <sup>(1)</sup>
E-MXPM 203-PC	9,5
E-MXPM 204-PC	10,8
E-MXPM 205-PC	11,7
E-MXPM 403-PC	10,6
E-MXPM 404-PC	11,5
E-MXAM 203-PC	9,6
E-MXAM 204-PC	10,9
E-MXAM 403-PC	10,7
E-MXAM 404-PC	11,5
E-NGXM 2/80-PC	10,0
E-NGXM 3/100-PC	10,0
E-NGXM 4/100-PC	10,9

<sup>(1)</sup> With cable length: 1,5 m

Characteristic curves  $n \approx 2800$  1/min



Performance  $n \approx 2800$  1/min

	P <sub>1</sub>		P <sub>2</sub>		Q	H m													
	kW	HP	kW	HP		m <sup>3</sup> /h	0	2	3	4	4,5	6	7	8	9	10	10,8	12	13
BS2F 2E-MXPM 203-PC	0,56x2	0,6x2	0,45x2	0,6x2	H m	33,7	30,5	28,6	26,4	25,2	21,1	17,9	14,4	10,8	7,0				
BS2F 2E-MXPM 204-PC	0,70x2	0,75x2	0,55x2	0,75x2		45,1	40,9	38,5	35,8	34,4	29,4	25,6	21,3	16,7	11,9				
BS2F 2E-MXPM 205-PC	0,89x2	1x2	0,75x2	1x2		55,6	50,4	47,3	43,9	42,1	36,1	31,4	26,3	20,9	15,3				
BS2F 2E-MXPM 403-PC	0,75x2	0,75x2	0,55x2	0,75x2		34,0				30,1	27,9	26,2	24,2	22,0	19,6	17,5	13,8	10,2	
BS2F 2E-MXPM 404-PC	1,05x2	1x2	0,75x2	1x2		44,9				39,5	36,9	34,7	32,2	29,4	26,3	23,5	18,9	14,4	

P<sub>1</sub> Max. power input.

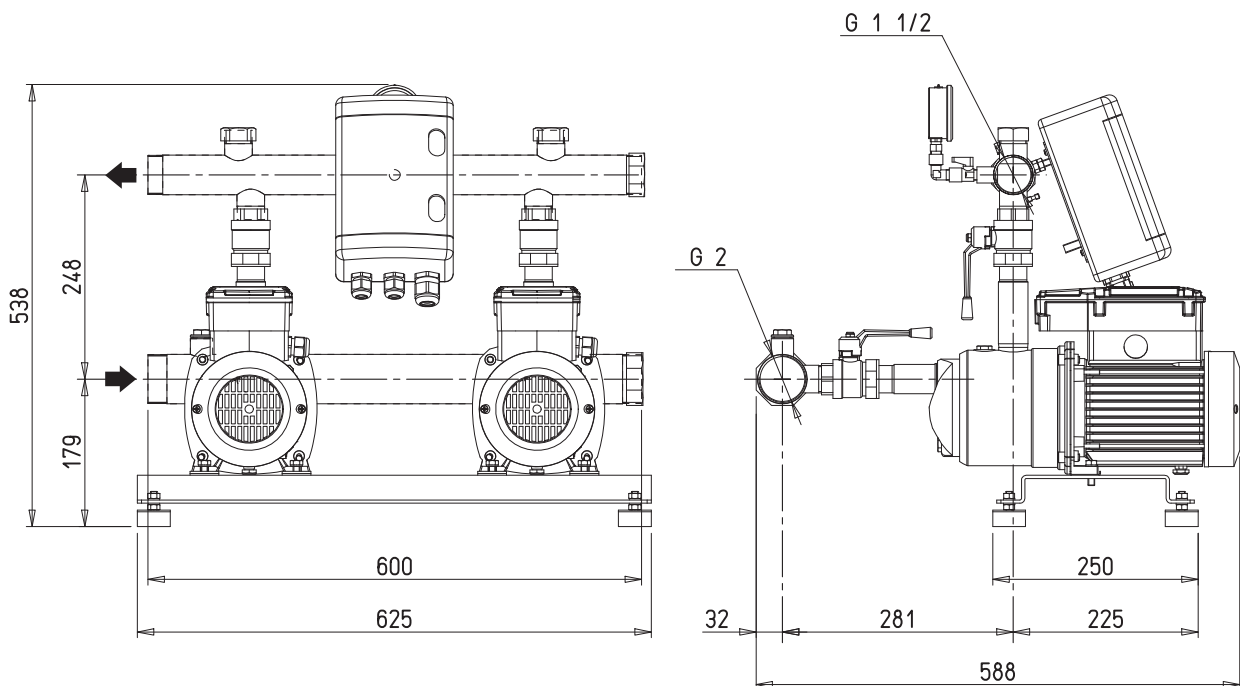
P<sub>2</sub> Rated motor power output.

Test results with clean cold water, without gas content.

Tolerances according to UNI EN ISO 9906:2012

+ 0,5 m security margin on NPSH-value is necessary.

Dimensions and weights



Characteristic curves  $n \approx 2800$  1/min

